

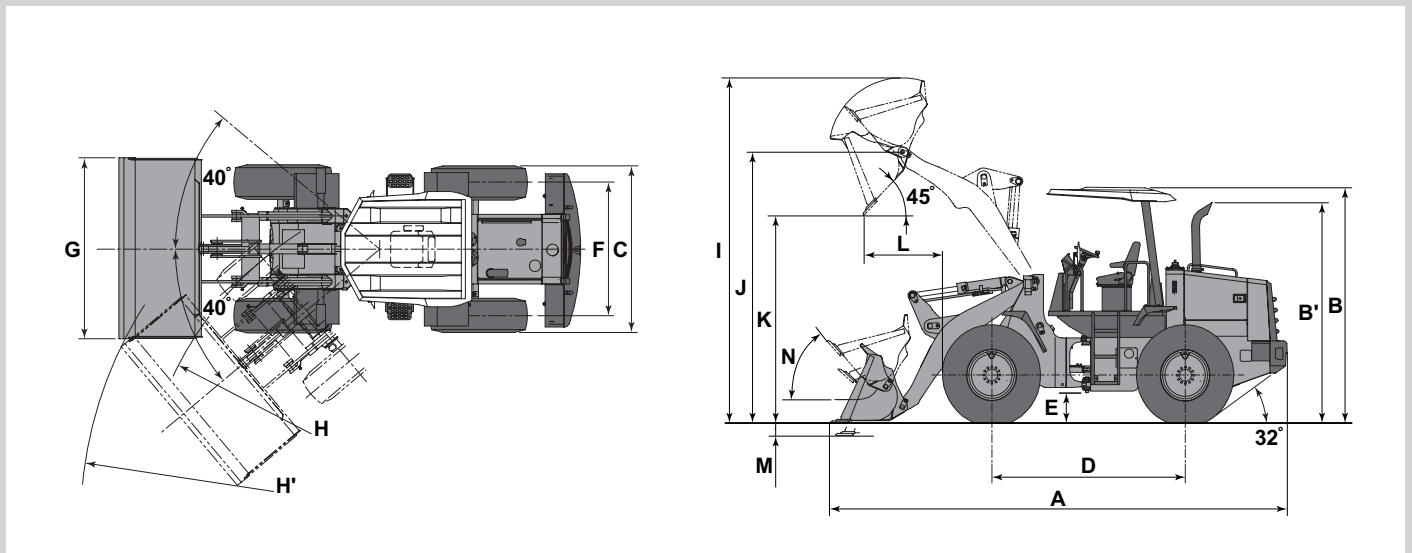
LX70

HITACHI

# LX70

W H E E L L O A D E R

- Engine Rated Power : 64.7 kW (88 PS)
- Operating Weight : Canopy / Cab (ROPS / FOPS)  
6 415 kg / 6 905 kg
- Backhoe Bucket : ISO Heaped  
1.0 m<sup>3</sup> – 1.6 m<sup>3</sup>



Unit : mm

	LX70-7
A Overall length	6 085
B Height to top of canopy and cab	3 045
B' Height to top of exhaust	2 885
C Width over tires	2 180
D Wheel base	2 600
E Ground clearance	350
F Tread	1 725
G Bucket width	2 340
H Turning radius (Centerline of outside tire)	4 440
H' Loader clearance circle, bucket in carry position	5 215
I Overall operating height	4 515
J Height to bucket hinge pin, fully raised	3 500
K Dumping clearance 45 degree, full height	2 695
L Reach, 45 degree dump, full height	1 015
Reach, 45 degree dump, 7 ft (2.13 m) clearance	1 435
M Digging depth (Horizontal digging angle)	100
N Max. roll back at carry position	48 deg.
Tire size	15.5 - 25 - 8PR (L2)

Note: General purpose bucket with bolt on cutting edges.



## ENGINE

Mod .....	Isuzu BB-4BG1T
Type .....	4-cycle water-cooled, direct injection
Aspiration.....	Turbocharger
No. of cylinder.....	4
Rated power	
DIN 6 271, net .....	64.7 kW (88 PS) at 2 100 min <sup>-1</sup> (2 100 rpm)
SAE J1349, net .....	64.7 kW (87 HP) at 2 100 min <sup>-1</sup> (2 100 rpm)
Bore and stroke .....	105 mm x 125 mm
Piston displacement .....	4.329 L
Electrical system.....	24 volt with 0.96 kW, 50 A alternator
Starting system.....	24 V x 4.5 kW electric motor.
Batteries.....	2 x 12 V / 420 CCA, 111-min. rated reserve
Air cleaner.....	Single element dry type with restriction indicator



## POWER TRAIN

Transmission	Two-speed shifts ; high/low speed selection through hydraulic clutch
Cooling method .....	Forced circulation type
Travel speed* : km/h	
	Forward / Reverse
Low .....	12.5 / 12.5
High .....	34.5 / 34.5

\* With 15.5-25-8PR (L2) tires



## AXLE AND FINAL DRIVE

Drive system .....	Four-wheel drive system
Front & rear axle .....	Semi-floating
	Front : Fixed to the front frame
	Rear : Center pivot
Reduction and differential gear .....	Two stage reduction with torque proportioning differential
Oscillation angle .....	±12° ; total 24°
Final drives .....	Heavy duty, planetary final drive



## TIRES (tubeless, nylon body)

Standard .....	15.5-25-8PR (L2)
Optional .....	Refer to standard & optional equipment list



## BRAKES

Service brakes	<ul style="list-style-type: none"> <li>Inboard mounted fully hydraulic 4 wheel wet disc brake.</li> <li>HST(Hydro Static Transmission) system provides additional hydraulic braking capacity.</li> </ul>
Parking brake.....	Spring applied, hydraulically released, wet disc type with drive through prevention mechanism.



## STEERING SYSTEM

Type.....	Articulated frame steering
Steering mechanism .....	Fully hydraulic power steering with orbitrol
Steering angle .....	Each direction 40° ; total 80°
Relief pressure .....	17.2 MPa (175 kgf/cm <sup>2</sup> )
Cylinders .....	Two double-acting piston type
No. x Bore x Stroke .....	2 x 55 mm x 395 mm
Minimum turning radius at the centerline of outside tire .....	4.44 m



## HYDRAULIC SYSTEM

Arm and bucket are controlled by mechanical single control lever	
Arm controls .....	Four position valve ; Raise, hold, lower, float
Bucket controls with automatic bucket return-to-dig controls.....	Three position valve ; Roll back, hold, dump
Main pump (Load & steer) .....	Gear type 122 L/min @ 2 300 min <sup>-1</sup> (rpm) at 1.47 MPa (15 kgf/cm <sup>2</sup> )
Relief pressure setting .....	20.6 MPa (210 kgf/cm <sup>2</sup> )
HST Charging pump .....	Gear type 44 L/min @ 2 300 min <sup>-1</sup> (rpm) at 3.9 MPa (40 kgf/cm <sup>2</sup> )
Transmission Charging pump .....	Gear type 24 L/min @ 2 300 min <sup>-1</sup> (rpm) at 1.77 MPa (18 kgf/cm <sup>2</sup> )
Hydraulic cylinders	
Type .....	Two arm and one bucket, double acting type
No. x Bore x Stroke .....	Arm : 2 x 90 mm x 760 mm
	Bucket : 1 x 110 mm x 421 mm
Filters .....	Full-flow 10 micron return filter in reservoir
Hydraulic cycle times	
Lift arm raise .....	5.0 s
lower.....	3.0 s
Bucket dump .....	1.0 s
Total .....	9.0 s



## SERVICE REFILL CAPACITIES

Fuel tank .....	130 L
Engine coolant .....	23 L
Engine oil .....	13 L
Front axle differential & wheel hubs .....	10 L
Rear axle differential & wheel hubs .....	10 L
Hydraulic reservoir tank .....	50 L



## DIMENSIONS & SPECIFICATIONS

Bucket type			Standard arm			High-lift arm	
			General purpose		Light material handling	General purpose	
			With bolt-on cutting edges	With bolt-on teeth	With bolt-on cutting edges	With bolt-on cutting edges	With bolt-on teeth
Bucket capacity	ISO heaped	m <sup>3</sup>	1.3	1.2	1.6	1.1	1.0
	ISO struck	m <sup>3</sup>	1.1	1.0	1.3	0.9	0.8
Bucket width		mm	2 340	2 340	2 340	2 340	2 340
Working range							
	Dumping clearance 45 degree, full height	mm	2 695	2 600	2 600	2 945	2 855
	Reach, 45 degree dump, full height	mm	1 015	1 085	1 105	1 275	1 345
	Reach, 45 degree dump, 7 ft (2.13 m) clearance	mm	1 435	1 455	1 475	1 810	1 845
	Reach with arm horizontal and bucket level	mm	2 135	2 245	2 265	2 545	2 670
	Digging depth (Horizontal digging angle)	mm	100	100	100	305	315
	Overall operating height	mm	4 515	4 470	4 585	4 620	4 620
	Overall length (Bucket on ground)	mm	6 085	6 215	6 220	6 495	6 620
	Loader clearance circle, bucket in carry position	mm	5 215	5 240	5 250	5 380	5 410
Static tipping load *	Straight	kgf	4 720	4 790	4 710	3 760	3 820
	40 degree full turn	kgf	4 180	4 250	4 160	3 310	3 380
Breakout force		kN (kgf)	62 (6 300)	68 (6 990)	54 (5 540)	65 (6 620)	71 (7 280)
Operating weight *		kgf	6 415	6 380	6 460	6 540	6 490

Bucket type			Standard arm with quick-coupler		
			General purpose		Light material handling
			With bolt-on cutting edges	With bolt-on teeth	With bolt-on cutting edges
Bucket capacity	ISO heaped	m <sup>3</sup>	1.1	1.0	1.3
	ISO struck	m <sup>3</sup>	0.9	0.8	1.1
Bucket width		mm	2 340	2 340	2 340
Working range					
	Dumping clearance 45 degree, full height	mm	2 590	2 505	2 565
	Reach, 45 degree dump, full height	mm	1 115	1 185	1 140
	Reach, 45 degree dump, 7 ft (2.13 m) clearance	mm	1 475	1 495	1 490
	Reach with arm horizontal and bucket level	mm	2 275	2 405	2 315
	Digging depth (Horizontal digging angle)	mm	95	105	95
	Overall operating height	mm	4 445	4 445	4 585
	Overall length (Bucket on ground)	mm	6 230	6 355	6 270
	Loader clearance circle, bucket in carry position	mm	5 270	5 310	5 290
Static tipping load *	Straight	kgf	4 110	4 180	4 080
	40 degree full turn	kgf	3 610	3 680	3 580
Breakout force		kN (kgf)	54 (5 490)	58 (5 930)	52 (5 270)
Operating weight *		kgf	6 700	6 670	6 760

Notes: 1. All dimensions, weight and performance data based on ISO 6746-1:1987, ISO 7131:1997 and ISO 7546:1983

2. Static tipping load and operating weight marked with \* include 15.5-25-8PR (L2) tires (No ballast) with lubricants, coolant, full fuel tank and operator.  
Machine stability and operating weight depend on counterweight, tire size and other attachments.

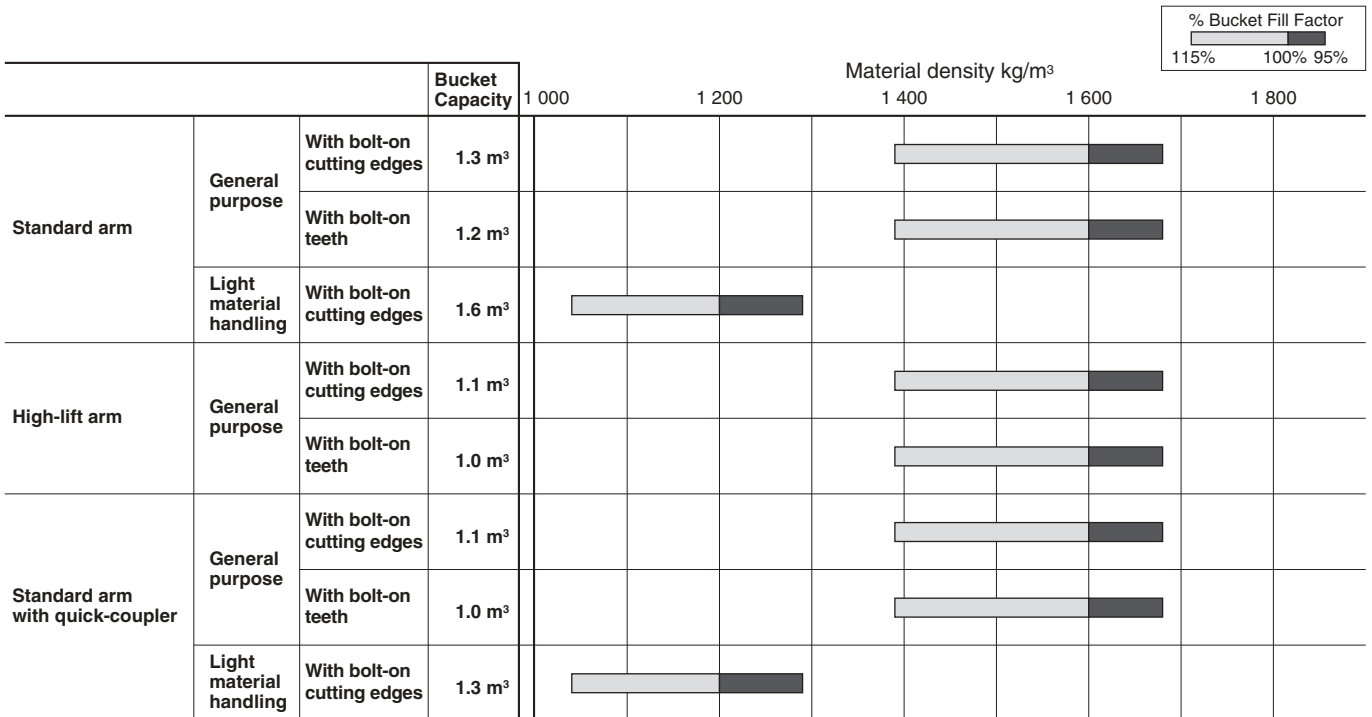
Tires and Options	Change in operating weight kg	Change in tipping load	
		Straight	Full turn
		kg	kg
15.5-25-8PR (L2) Bias ply	0	0	0
15.5-25-12PR (L2) Bias ply	28	19	17
17.5-25-12PR (L2) Bias ply	172	118	104
17.5-25-12PR (L3) Bias ply	260	178	157
16.9-24-10PR (L2) Bias ply	64	44	39
16.9-24-10PR (L3) Bias ply	140	96	85
ROPS/FOPS canopy (In lieu of FRP roof canopy)	210	215	200
Steel cab (In lieu of FRP roof canopy)	270	230	220
ROPS/FOPS cab (In lieu of FRP roof canopy)	490	445	420
Lumber and pallet fork (Pin on type)*1	580	- 1 240	- 1 095
Lumber and pallet fork (For quick coupler)*1	830	- 1 440	- 1 285
Log grapple (Pin on type)*2	790	- 40	- 110
Counterweight, CW*026	255	530	450
Counterweight, CW*043	430	900	755

Note: \*1 CW\*043

\*2 CW\*043, 15.5-25-8PR (L2) Tires



## BUCKET SELECTION GUIDE





*These specifications are subject to change without notice.  
Illustrations and photos show the standard models, and may or may not include optional  
equipment, accessories, and all standard equipment with some differences in color and features.  
Before use, go through Operators Manual for proper operation.*

 **Hitachi Construction Machinery Co., Ltd.**

**Head Office:** 5-1 Koraku 2-chome, Bunkyo-ku,  
Tokyo 112-8563, Japan

**Telephone:** (03)3830-8050

**Facsimile:** (03)3830-8204

KL-E118

03.08 (KA/KA, MT<sub>3</sub>)

Printed in Japan