

HITACHI

**The AC**

Maximum Payload  
317.6 m-ton

**DRIVE**

Maximum GMW  
528 180 kg

**MONSTER**

Engine

Detroit Diesel 16V-4000  
Rated Power 2 013 kW  
Cummins QSK60-L is available  
as an option.

***EH5000***



# EH5000

## THE AC WHEEL MOTOR



● AC motors are brushless, and essentially maintenance free.

### DC System

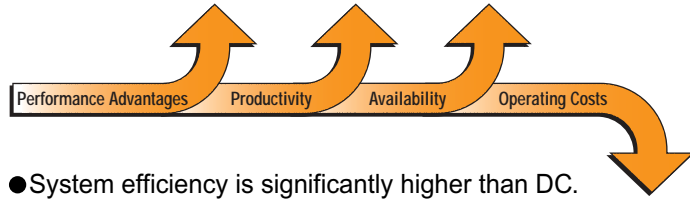
#### Scheduled Maintenance and Overhauls

Contactors Tip Replacement .....	2 500 hrs
Traction Motor Brush Replacement ...	2 500 hrs
Commutator Turn & Undercut .....	7 500 hrs
Wheel Motor Overhauls .....	25 000 hrs

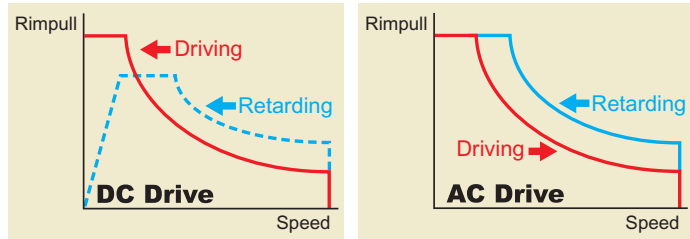
### AC System

2 500 hrs .....	Choppers vs Contactors
N/A .....	AC Induction Motor
N/A .....	AC Induction Motor
25 000 hrs	

## THE AC DRIVE BENEFITS



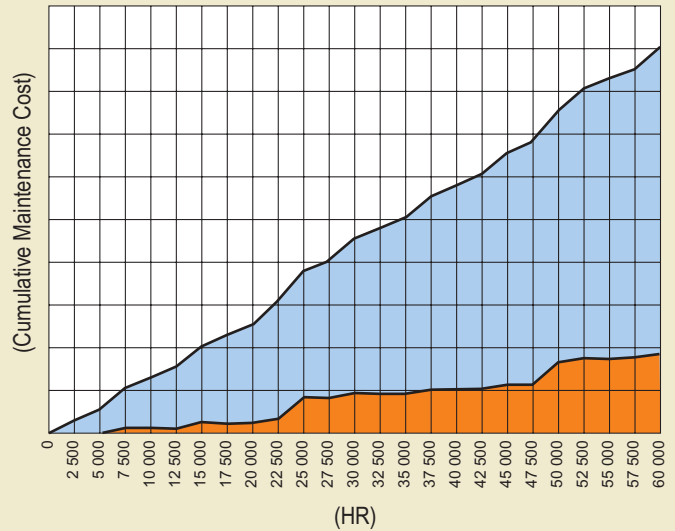
- System efficiency is significantly higher than DC.
- Full retarding capability, down to zero speed, equal to or greater than the starting rimpull.



- Higher operating speed.
- Increased retarding capability reduces brake wear.

## Cumulative Maintenance Cost DC vs. AC

■ DC-SYSTEM ■ AC-SYSTEM

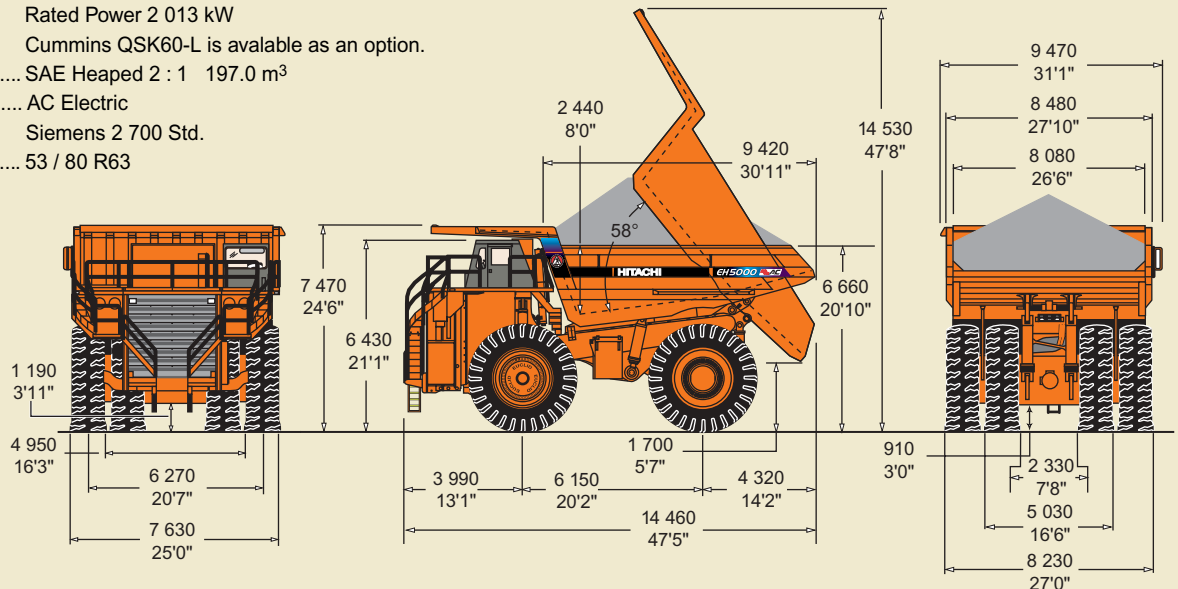


## Specifications (Preliminary)

Maximum Payload .....	317.6 m-ton
Maximum GMW .....	528 180 kg
Engine .....	Detroit Diesel 16V-4000
	Rated Power 2 013 kW
	Cummins QSK60-L is available as an option.
Body Capacity .....	SAE Heaped 2 : 1 197.0 m <sup>3</sup>
Drive System .....	AC Electric
	Siemens 2 700 Std.
Tire Size .....	53 / 80 R63

Unit: mm (ft in)

## Dimensions (Preliminary)



These specifications are subject to change without notice. Illustrations and photos show the standard models, and may or may not include optional equipment, accessories, and all standard equipment with some differences in color and features. Before use, go through Operator's Manual for proper operation.

## Hitachi Construction Machinery Co., Ltd.

Head Office: 5-1 Koraku 2-chome, Bunkyo-ku, Tokyo 112-8563, Japan

Telephone: (03)3830-8050

Facsimile: (03)3830-8202