

Superb Job-to-Job Mobility

Increased Mobility
Thanks to Technological Advances



Side frame extend/retract switch



Retractable track beam

The track frame of a folding beam type can be retracted down to 3 200mm wide. In transportation, extension/retraction of the crawler can be controlled through a switching operation from the cab.



Bridge joint guides adopted for increased ease of boom disassembly and reassembly

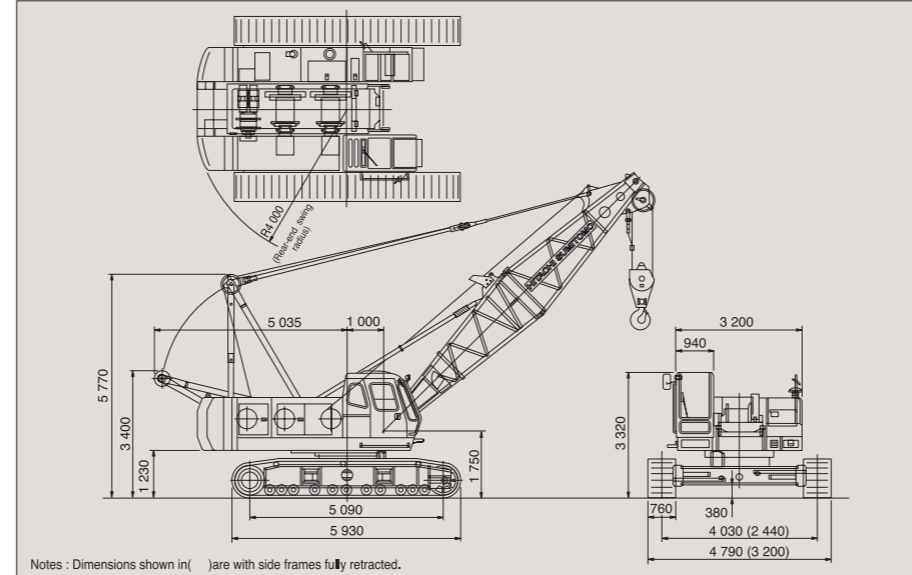


Dual taper pin and stopper

Note :The machine is painted in a customer's selected color.

■Dimensions

Unit : mm



Notes : Dimensions shown in () are with side frames fully retracted.

■Specifications

(1t = 1 000 kg)

		SCX700
Maximum rated load X Working radius	t x m	70 X 3.7
Basic boom length	m	9
Maximum boom length	m	54
Winch		
Maximum line pull	t	15.6
Maximum rated line pull	t	6.5
Line speeds Main hoist drum*	m/min	100/65/32
Auxiliary hoist drum*	m/min	100/65/32
Boom hoist drum*	m/min	53
Swing speed	min ⁻¹ (rpm)	3.0 (3.0)
Travel speed	km/h	1.3/0.9
Gradeability	%(°)	40 (22)
Diesel Engine		
Engine power	kW/min ⁻¹ (PS/rpm)	136/2 000 (185/2 000)
Ground pressure	kPa(kg/cm ²)	77.6 (0.79)
Operating weight	t	64.9 (including 9 m boom and 70 000 kg capacity hook)

NOTE : Data is expressed in SI units followed by conventional units in ().

*Line speeds will vary with the load.

Hitachi Sumitomo Heavy Industries Construction Cranes Co.,Ltd

Head Office : 12-14 Ueno 7-chome, Taito-ku,
Tokyo 110-005, Japan

Telephone : (03)3845-1386

Facsimile : (03)3845-1394

<http://www.hands-crane.com>

This catalog is not applicable to European and North America areas.
The machine shown may vary according to territory Specifications.
Specifications are subject to change without notice.

Printed in Japan. 0301©01T.EA001-2



SCX700

HYDRAULIC CRAWLER CRANE

Maximum Rated Load : 70 t at 3.7 m working radius

Basic Boom Length : 9 m

Maximum Boom Length : 54 m

Engine Power : 136 kW (185 PS)

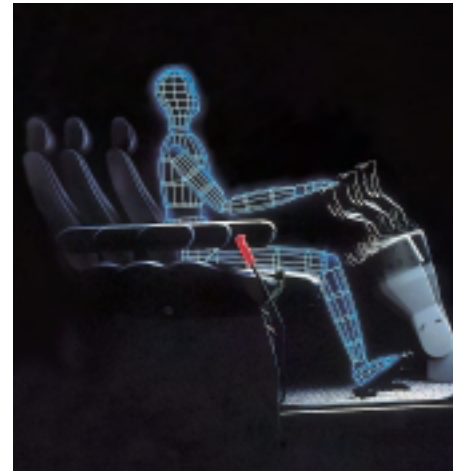
Operating Weight : 64.9 t



HITACHI SUMITOMO

Enhanced Operator Comfort

Adjustable Deluxe Seat and Control Levers for Pleasant Operation with Less Fatigue



Operator Comfort and Operating Ease

- Electric tilt-type lever stand and adjustable deluxe seat
- Large, curved front glass window for upward/downward visibility
- Short-type lever
- Easy-to-read control panel
- Quiet cab thanks to shock-absorbing rubber mounts and well-sealed sliding door
- Emissions control engine

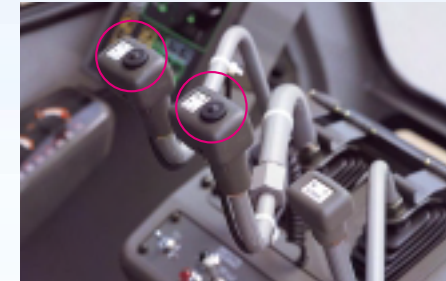
Note : ●Decal and caution plates, affixed to the machine, vary depending on countries. Pictured are those for the Japanese market.
●Pictured includes optional equipment.
●"Ton" or "t" implies metric ton in this catalog.

Operating Ease

Precision Crane Operation with the Drum Speed Sensing System



Note :The machine is painted in a customer's selected color.



Fine Inching with the Lever-mounted Drum Rotation Sensing System

Dependable inching operation is ensured even when the load is invisible -- i.e., deep crane operation under the ground with the help of a signal man, or extracting piles with a vibration hammer. The system enables the operator to feel drum rotation beginning at the fingertips.

Coupled with the fine-speed control system featuring a wide control range, increases controllability and productivity are increased.

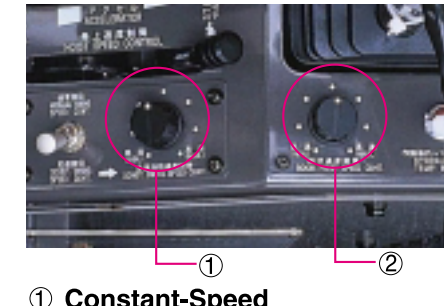


Electric Finger-Touch Accelerator Grip

The electric finger-touch accelerator grip, provided atop the swing lever, is a new control system, featuring good throttle response. The operator can choose from the accelerator grip, or the conventional accelerator lever and pedals according to job requirements.



Work mode switch crane/Bucket mode



① Constant-Speed Swing Control

With a dial switch, swing speed can be kept nearly constant within a certain range, regardless of engine speed. During high-lift operation, this feature is advantageous, permitting slow swing with quick hoisting. With a selector switch, normal swing can be selected.

② Independent Fine-Speed Control of the Boom

With a dial switch, boom hoisting/lowering speeds can be adjusted, continuously and independently, within a 20% to 100% range of normal speed to adapt to slight changes in working radius.

Safety-First Design

A wide an Array of Devices: Ergonomic Levers, Rounded Lever Stand, Easy-to-Read Control Panel and Numerous Locking Mechanisms



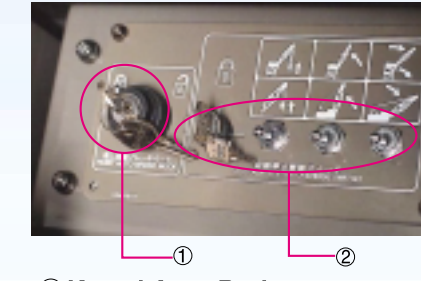
Cushioned Boom Stops

A cushioned boom stop mechanism is provided to reduce shock due to abrupt stops such as automatic stops from boom over-hoisting or overloading.



Secondary Boom Overhoist Prevention Device

Even if the boom or hook overhoist prevention device fails, the secondary boom overhoist prevention device prevents boom and/or hook overhoisting. Alarm bell and buzzer sound to warn the operator. Also, the engine shut down to prevent damage due to boom imbalance.



① Keyed Auto Brake Mode Release Switch

This switch disables transfer from auto brake mode to free fall mode.

② Keyed Auto Stop Release Switch

The auto stop release switch is fitted with a key to prevent inadvertent release of auto stop devices.



Brake Mode Selector

The brake mode selector is provided on the lever stand. Indicators enable the operator to differentiate brake mode at a glance.

Auto brake mode(green indicator)
Free fall mode(red indicator)



Pilot-Control Shutoff Lever Prevents Misoperation During Operator Ingress and Egress

Drum Locking Mechanism

Each drum is locked automatically when the key switch is set to OFF or ACC position.

Interlock System

This system does not allow the engine to start unless the swing brake is locked and the hoisting brake is set to the auto brake mode.

